

4

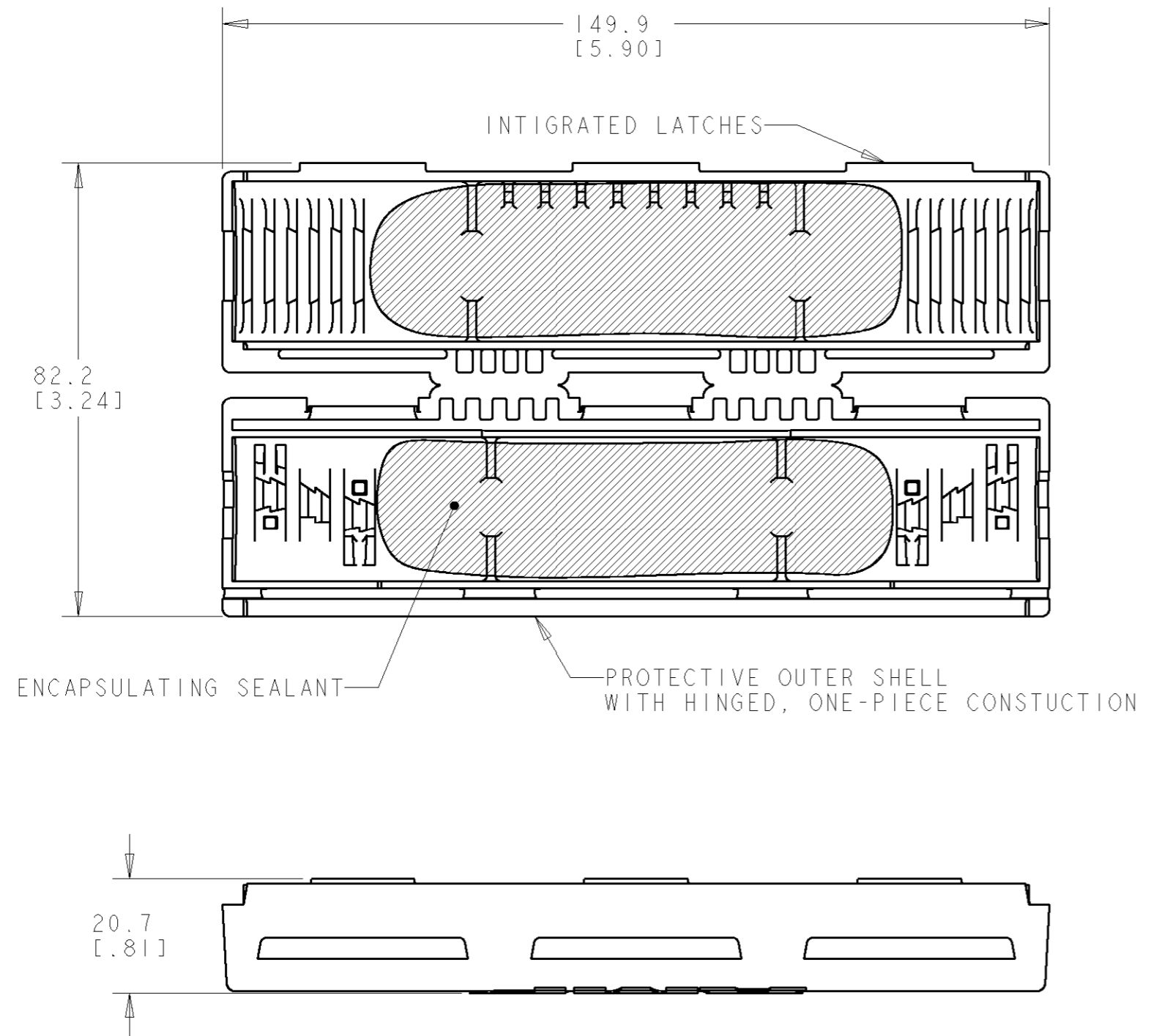
3

2

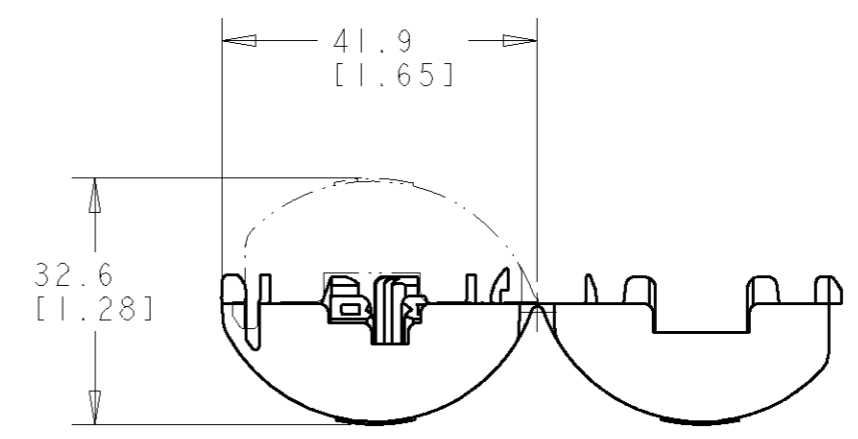
1

THIS DRAWING IS UNPUBLISHED. RELEASED FOR PUBLICATION
 © COPYRIGHT 20 BY TYCO ELECTRONICS CORPORATION. ALL RIGHTS RESERVED.

LOC	DIST	REVISIONS					
		P	LTR	DESCRIPTION	DATE	DWN	APVD
CG	0		A	EC 0340-0019-00	08MAY2000	SW	GM
			B	REV; EC 0340-0040-02	29APR02	GG	AK



- UNIT WILL ACCEPT UP TO 12 TEL-SPLICE CONNECTORS AND 2 OR 6 PAIR AERIAL DROP WIRE.
 - SPLICE TO BE PREPARED PER INSTRUCTIONS AND STANDARD PROCEDURES.
 - SPLICE ENCLOSURE TO BE USED IN NON-TENSION APPLICATIONS. SPLICE IS NOT APPROVED FOR MID-SPAN USE.
- △ MATERIAL: CASE - POLYESTER, BLACK
 GEL - AMP SEALANT #20



THIS PRODUCT HAS NOT COMPLETED VALIDATION TESTING

<small>THIS DRAWING IS A CONTROLLED DOCUMENT FOR TYCO ELECTRONICS CORPORATION IT IS SUBJECT TO CHANGE AND THE CONTROLLING ENGINEERING ORGANIZATION SHOULD BE CONTACTED FOR THE LATEST REVISION.</small>		DWN S. WEIKERT 08MAY00 CHR D. RADLIFF 28JUN00 APVD G. MENECHETTA 28JUN00		tyco Electronics		Tyco Electronics Harrisburg, PA 17105-3608	
DIMENSIONS: mm [INCHES]		TOLERANCES UNLESS OTHERWISE SPECIFIED: 0 PLC ± 1 PLC ±0.5 [.02] 2 PLC ± 3 PLC ± 4 PLC ± ANGLES ±		PRODUCT SPEC 108-1509		NAME ENCLOSURE ASSEMBLY, 6 AND 2 PAIR AERIAL DROP WIRE SPLICE, CERTI-SEAL	
MATERIAL △ 4		FINISH -		APPLICATION SPEC -		RESTRICTED TO -	
CUSTOMER DRAWING		WEIGHT -		SIZE A3		CAGE CODE 00779	
DRAWING NO C-1217204		SCALE :		SHEET OF		REV B	